

防水式LED工作燈 (LED-70 / 96 SERIES) WATER-PROOF LED LIGHTING LAMP

70,81,95,96 系列LED工作燈均裝設防水式燈頭，燈頭採用強化玻璃，可耐切削液之冷熱變化沖擊，光度明亮，但不會有刺目的強光，肘節式伸縮臂，並配合各式燈座，非常適於燈具無法到達而必須緊靠之場所之照明，因此它最早被用來做工具機作業之照明工作燈。

Series 70,81,95,96 LED lightings which are installed water-proof lighting head and specially adopted the tempered glass, so far, which can be endured the large temp variation, very bright, glare-free. Furthermore, there are equipped foldable arm and coupled with various attachment, so that, they are ideal for use in applications where the lighting cannot be attached close to the area to be illuminated since they are already designed for use on machine tool.

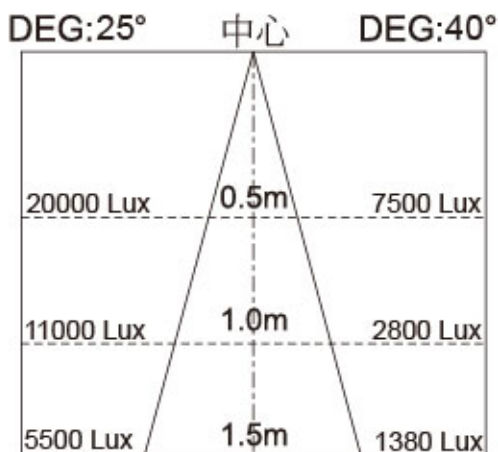
LED-70 Series



功能特性與 LED-L96 雷同，
唯伸縮臂較短，僅為 220X220mm。
The performance & features is as well
as LED-L96, but short of flexible
arm and just with 220X220 mm length.

■ LED-M70

LED照度示意圖

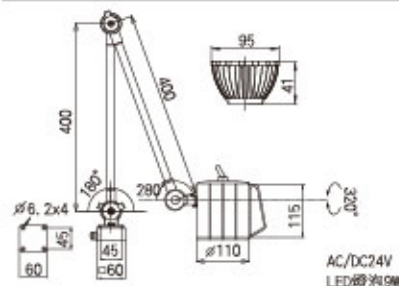


規格 Specifications

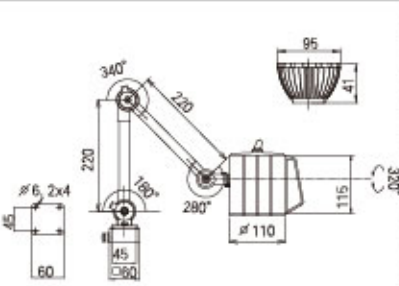
型號 Type	伸臂長度 Arm Length	電壓 Voltage	瓦特數 (W)	防水規格 Enclosure IP
LED-L96	400 X 400 mm	110V OR 220V	9W	IP-67
LED-M96	220 X 220 mm	110V OR 220V	9W	IP-67
LED-S96	-	110V OR 220V	9W	IP-67
LED-L70	400 X 400 mm	DC 24V	9W	IP-67
LED-M70	220 X 220 mm	DC 24V	9W	IP-67
LED-S70	-	DC 24V	9W	IP-67

*DC 24V為無極性(No polarity)

LED-L70/L96



LED-M70/M96



LED-S70/S96

